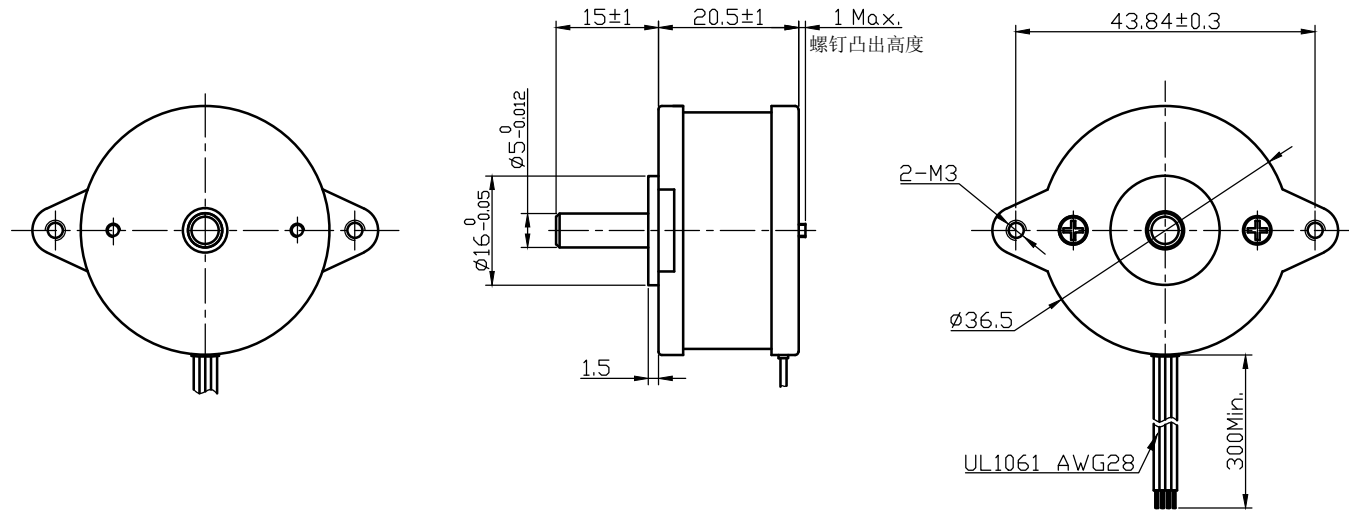
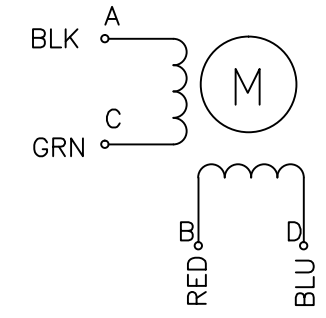


REV	ECN NO.	DESCRIPTION	DRN	APP'D	DATE



Wiring Diagram (接线图)



Exciting Sequence (励磁顺序)

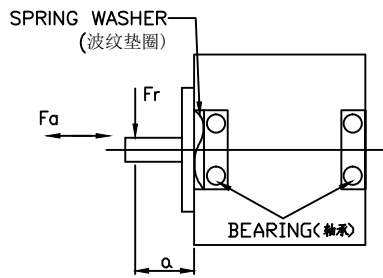
CW DIRECTION	STEP	A	C	B	D
↓	1	+		+	
	2		+	+	
	3		+		+
	4	+			+
	1	+		+	

CW, see from flange side (顺时针, 从法兰侧看)

SPECIFICATION

STEP ANGLE	步距角	0.9°/full step(步)
STEP ANGLE ACCURACY	步距角精度	±5%
NUMBER OF PHASE	绕组相数	2
RATED VOLTAGE	额定电压	4.4 VDC
RATED CURRENT	额定电流	0.8 A
RESISTANCE/PHASE	每相电阻	5.5±10% ohms@20°C
INDUCTANCE/PHASE	每相电感	4.8±20% mH@1kHz
HOLDING TORQUE	保持转矩	920 g.cm
PULL OUT TORQUE	运行转矩	
BACK EMF	反电动势	
DETENT TORQUE	定位转矩	
ROTOR INERTIA	转子转动惯量	19.6 g.cm ²
WEIGHT	重量	90 g
TEMPERATURE RISE	温升	Less than 80K(≠80K)
SOURCE VOLTAGE	驱动器电压	24 VDC
INSULATION CLASS	绝缘等级	B 130°C
DIELECTRIC STRENGTH	介电强度	500VAC 1MIN
INSULATION RESISTANCE	绝缘电阻	100MΩ @500VDC
IP CODE	防护等级	IP30
OPERATION AMBIENT	使用环境	Ambient temperature: -20...+50°C, humidity Max. 85%(No condensation)
STORAGE AMBIENT	存储环境	Ambient temperature: -20...+85°C, humidity Max. 85%(No condensation)

PERMISSIBLE RADIAL+AXIAL FORCE (允许的轴间和轴向力)



Preliminary

AXIAL-FORCE 轴向压力	Fa=2.5 N Max.
DISTANCE 距离	a=20 mm
RADIAL-FORCE 径向压力	Fr=5.5 N Max.
SHAFT RADIAL PLAY 径向间隙	0.02mm Max. @4N
SHAFT AXIAL PLAY 轴向间隙	0.08mm Max. @4N

DESIGN	DATE	P/N.	3.1.01.036.***
WYW	201116	TITLE	Specifications
UNLESS OTHERWISE SPECIFIED TOLERANCES:		USED ON	FL36STH20-0804MAN-01
DECIMALS: .x ±0.5		DWG NO.	
ANGULAR: .xx ±0.25 ±0°30'		REV	A
.xxx ±0.1			
UNIT: mm	FIRST ANGLE PROJECTION	SCALE	NTS
DO NOT SCALE DRAWING		SHEET	OF
		FULLING MOTOR	