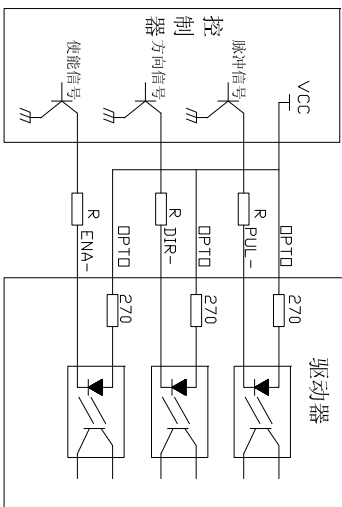
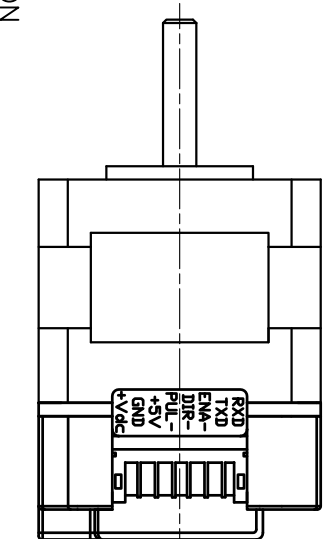
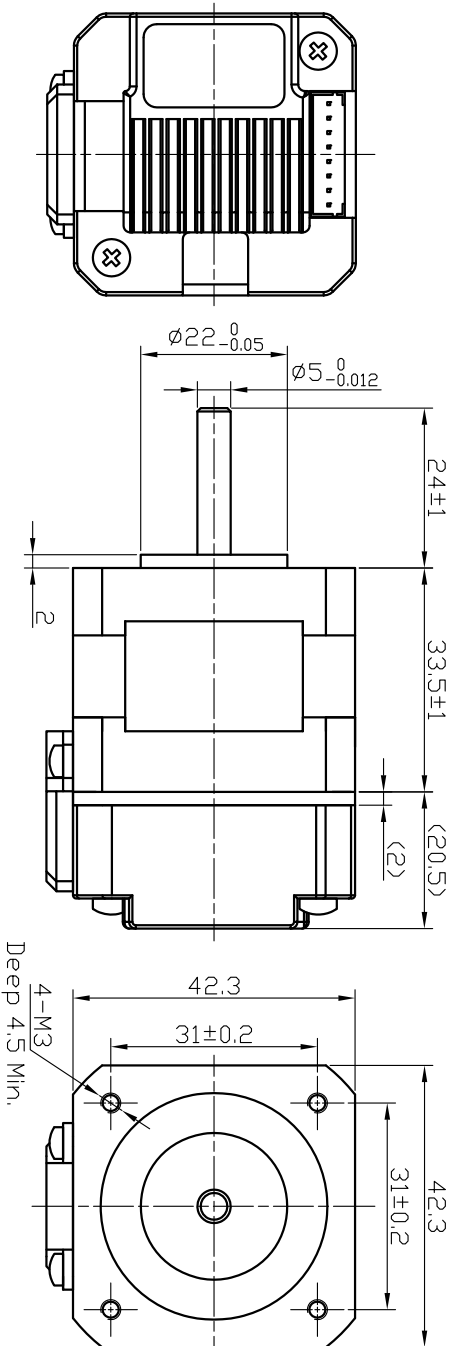
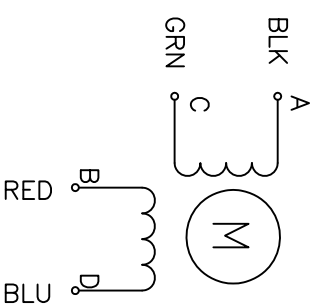


REV	ECN NO.	DESCRIPTION	DRN	APP'D	DATE

Wiring Diagram (接线图)



Exciting Sequence (励磁顺序)

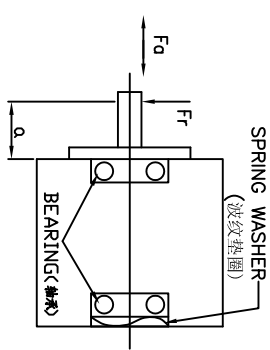
CW DIRECTION	STEP	A	C	B	D
↑	1	+		+	
	2		+		+
	3			+	+
	4	+			+

CW/see from flange side
(顺时针, 从法兰侧看)

SPECIFICATION

STEP ANGLE	步距角	1.8°/full step(步距)
STEP ANGLE ACCURACY	步距角精度	±5%
NUMBER OF PHASE	绕组相数	2
RATED VOLTAGE	额定电压	2.8 V
RATED CURRENT	额定电流	1.33 A
RESISTANCE/PHASE	每相电阻	2.1±10% ohms@20°C
INDUCTANCE/PHASE	每相电感	2.5±20% mH@1kHz
HOLDING TORQUE	保持转矩	2200 g.cm
PULL OUT TORQUE	运行转矩	
BACK EMF	反电动势	
DETENT TORQUE	定位转矩	
ROTOR INERTIA	转子转动惯量	35 g.cm ²
WEIGHT	重量	220 g
TEMPERATURE RISE	温升	Less than 80K (<4*80度)
SOURCE VOLTAGE	驱动器电压	24 VDC
INSULATION CLASS	绝缘等级	B 150°C
DIELECTRIC STRENGTH	介电强度	500VAC 1MIN
INSULATION RESISTANCE	绝缘电阻	100MΩhm @500VDC
IP CODE	防护等级	IP30
OPERATION AMBIENT	使用环境	Ambient temperature:-20...+50°C,humidity Max. 85%(No condensation)
STORAGE AMBIENT	存储环境	Ambient temperature:-20...+85°C,humidity Max. 85%(No condensation)

PERMISSIBLE RADIAL+AXIAL FORCE (允许轴端力和轴力)



DESIGN	DATE	P/N	TITLE
		3.1101.042.***	Specifications
CHECK		USED ON	FL425TH33-1334A-IE2
		DWG NO.	
		REV	A
FIRST ANGLE PROJECTION	SCALE	NTS	FULLING MOTOR
	SHEET	OF	

UNLESS OTHERWISE SPECIFIED
TOLERANCES:
DECIMALS: ±0.5
.xxx ±0.25
±0.1
ANGULAR:
±0°30'