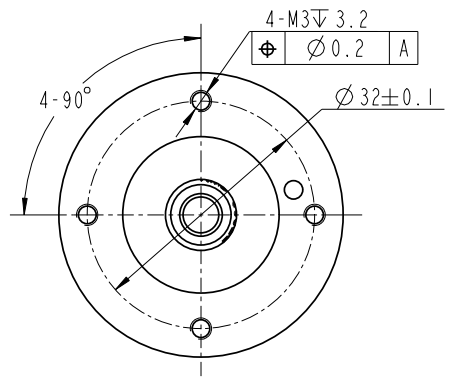
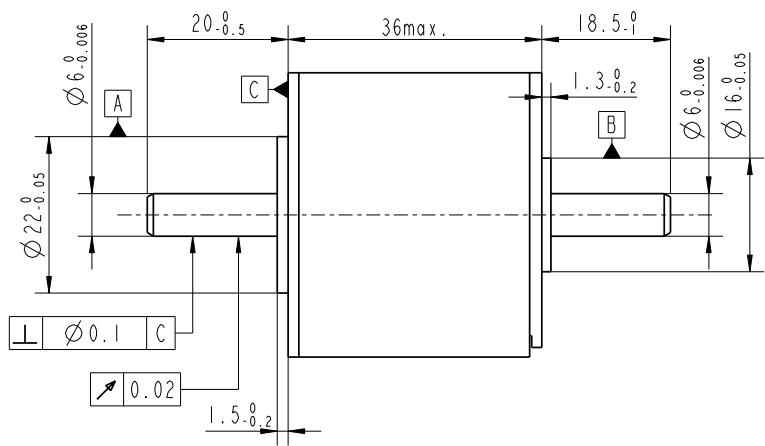
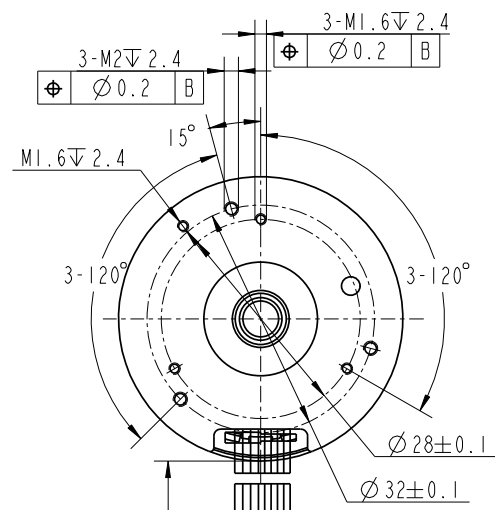
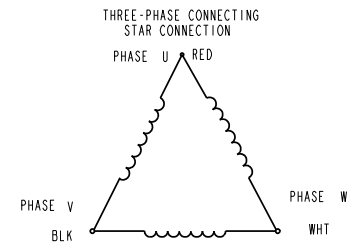
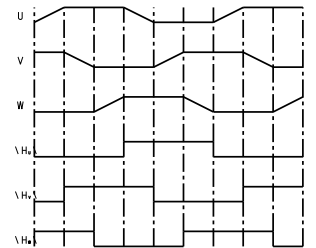


REV	ECN	NO	DESCRIPTION	DRN	APP'D	DATE

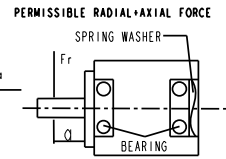
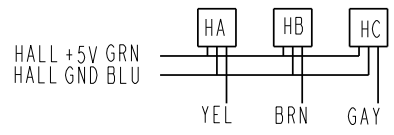


壳: MOLEX 39012040
 壳: MOLEX 430250600
 针: MOLEX 39000038
 针: MOLEX 430300001

CCW VIEWED FROM SHAFT



HALL CONNECTING



NUMBER OF PHASE	绕组相数	3	Wires for Phases UL1332 AWG20(MOLEX 39012040)		
NUMBER OF POLES	极数	14	PHASE U	PHASE V	PHASE W
LINE TO LINE RESISTANCE	线电阻	0.83±10% ohms@20°C	RED/PIN1	BLK/PIN2	WHT/PIN3
LINE TO LINE INDUCTANCE	线电感	0.64±20% mH@1kHz	Wires for Hall UL1332 AWG24(MOLEX 430250600)		
NOMINAL VOLTAGE	额定电压	36 VDC	HALL Vc	Hu	Hv
NO LOAD SPEED	空载转速	10700±10% RPM	Hw	HALL Gnd	
NO LOAD CURRENT	空载电流	0.2 Aref.	GRN/PIN5	YEL/PIN1	BRN/PIN2
RATED TORQUE	额定转矩	83.4 mN.m	GAY/PIN3	BLU/PIN4	
RATED SPEED	额定转速	8740 RPM	<p>PERMISSIBLE RADIAL+AXIAL FORCE</p>		
RATED CURRENT	额定电流	2.45 A			
PEAK TORQUE	峰值转矩	250 mN.m			
PEAK CURRENT	峰值电流	7.5 A			
BACK EMF CONSTANT	反电势常数	2.48 Vrms/kRPM			
TORQUE CONSTANT	转矩常数	33.5 mN.m/A			
INSULATION CLASS	绝缘等级	F 155°C			
DIELECTRIC STRENG	介电强度	1000VAC 1SEC			
INSULATION RESIST	绝缘电阻	100MΩhm @500VDC			
ROTOR INERTIA	转子转动惯量	24.2g.cm ²			
WEIGHT	重量	240g			
OPERATION AMBIENT	使用环境	Ambient temperature:-20...+50°C,humidity Max.85%(No condensation)			
STORAGE AMBIENT	存储环境	Ambient temperature:-20...+80°C,humidity Max.85%(No condensation)			

A	REV	ECN NO.	DESCRIPTION	DESIGN	DATE	P7N.	3.1.02.040.0010
UNLESS OTHERWISE SPECIFIED TOLERANCES:			MATERIAL	CONTR.	CHECK	TITLE	Specifications
DECIMALS:	.X	±0.5			APPD	USED ON	FL40BL36-36V-8776B
.XX	±0.25				DWG NO.	REV	A
.XXX	±0.1				SCALE		3:2
UNIT: mm			FIRST ANGLE PROJECTION		SHEET		1 OF 1
DO NOT SCALE DRAWING					FULLING MOTOR		