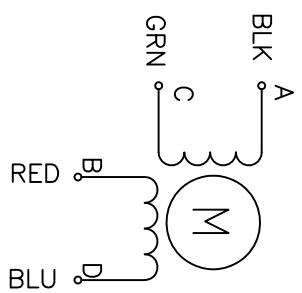


REV	ECN NO.	DESCRIPTION	DRN	APP'D	DATE

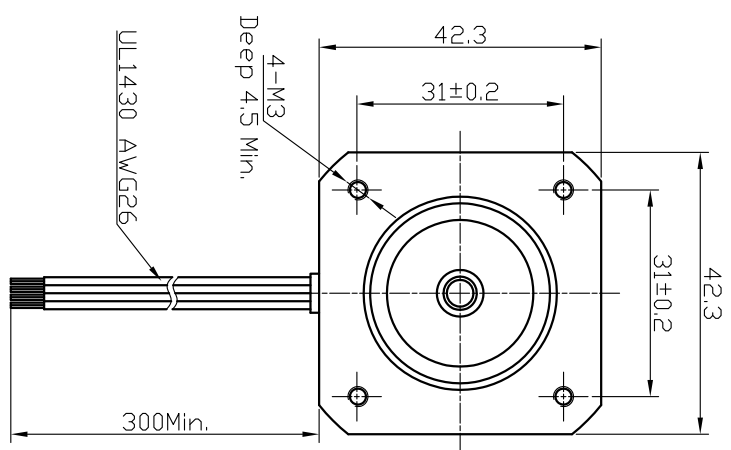
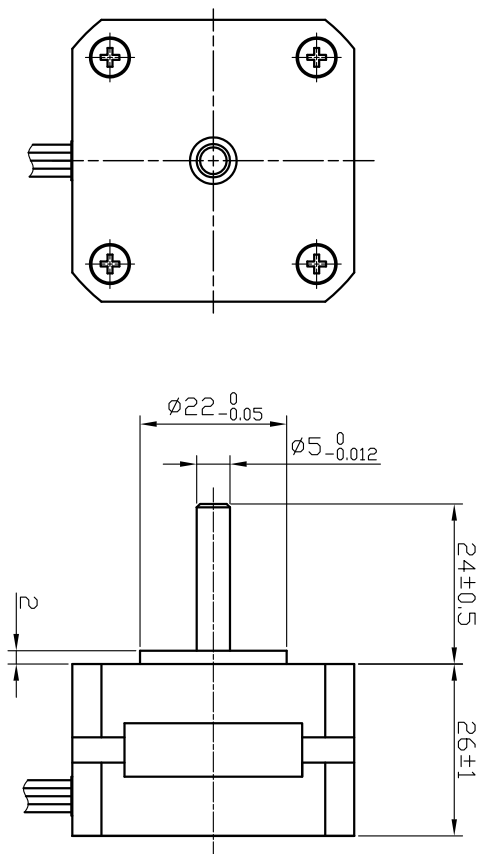
Wiring Diagram (接线图)



Exciting Sequence (励磁顺序)

Exciting Sequence	Step	A	C	B	D
1	+		+		
2		+		+	
3			+		+
4	+				+

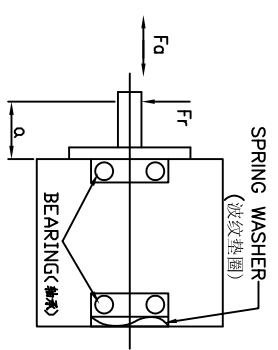
CW/see from flange side
(顺时针, 从法兰侧看)



SPECIFICATION

STEP ANGLE	步距角	1.8°/full step(步距)
STEP ANGLE ACCURACY	步距角精度	±5%
NUMBER OF PHASE	绕组相数	2
RATED VOLTAGE	额定电压	9.6 V
RATED CURRENT	额定电流	0.4 A
RESISTANCE/PHASE	每相电阻	24±10% ohms@20°C
INDUCTANCE/PHASE	每相电感	30±20% mH@1KHz
HOLDING TORQUE	保持转矩	1700 g.cm
PULL OUT TORQUE	运行转矩	
BACK EMF	反电动势	
DETENT TORQUE	定位转矩	
ROTOR INERTIA	转子转动惯量	20 g.cm ²
WEIGHT	重量	150 g
TEMPERATURE RISE	温升	Less than 80K(A*80)°
SOURCE VOLTAGE	驱动器电压	24 VDC
INSULATION CLASS	绝缘等级	B 130°C
DIELECTRIC STRENGTH	介电强度	500VAC 1MIN
INSULATION RESISTANCE	绝缘电阻	100MΩhm @500VDC
IP CODE	防护等级	IP30
OPERATION AMBIENT	使用环境	Ambient temperature:-20...+50°C,humidity Max. 85%(No condensation)
STORAGE AMBIENT	存储环境	Ambient temperature:-20...+85°C,humidity Max. 85%(No condensation)

PERMISSIBLE RADIAL+AXIAL FORCE
(允许轴向外力和轴向力)



UNLESS OTHERWISE SPECIFIED TOLERANCES: ANGULAR: .x ±0.5 .xxx ±0.25 ±0.1	FIRST ANGLE PROJECTION	DESIGN	DATE	P/N	TITLE
DO NOT SCALE DRAWING				3.1.01.042.****	Specifications
		CHECK		USED ON	FL42STH35-0404A
		APP'D		DWG NO.	REV
		SCALE	NTS		REV
		SHEET	OF	PULLING MOTOR	