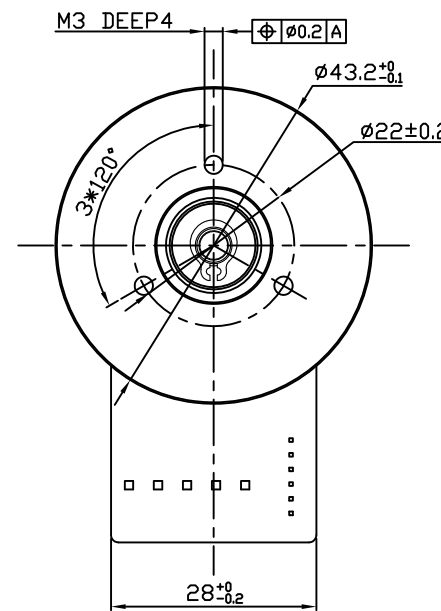
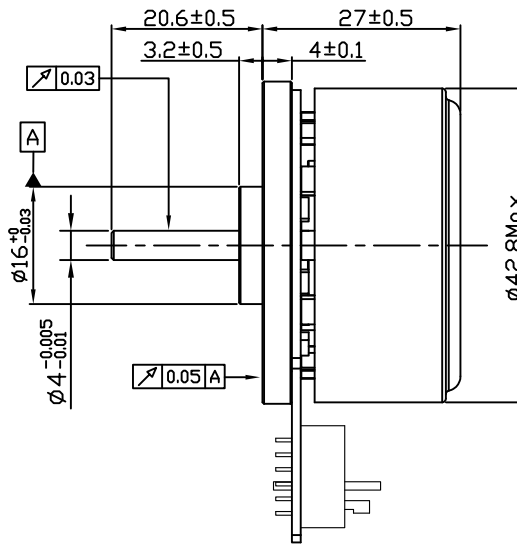
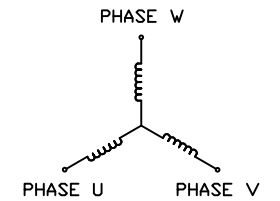


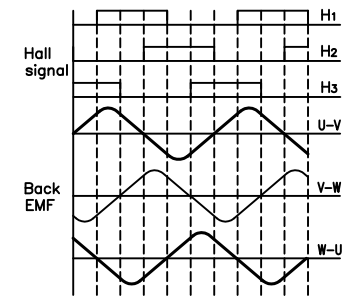
- CN1 JST B5P-VH: PIN1 - GND, PIN2 - Phase U, PIN3 - Phase V, PIN4 - Phase W, PIN5 - GND
- CN2 JST B6B-PH-K-S: PIN1-GND, PIN2-+5V DC(4.5-18V DC), PIN3-Hall 1, PIN4-Hall 2, PIN5-Hall 3, PIN6-GND



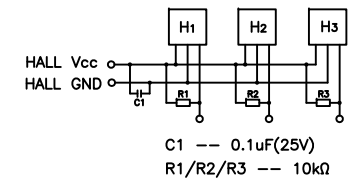
THREE-PHASE CONNECTING



CW from shaft side



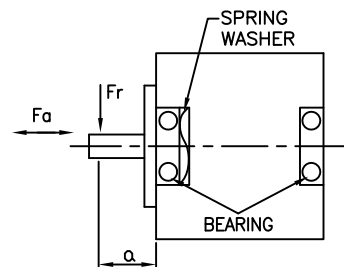
HALL CONNECTION



OUTRUNNER BLDCM

NUMBER OF PHASE	绕组相数	3
NUMBER OF POLES	极数	16
LINE TO LINE RESISTANCE	线电阻	0.56±10% ohms@20°C
LINE TO LINE INDUCTANCE	线电感	0.27±20% mH@1kHz
NOMINAL VOLTAGE	额定电压	24 VDC
NO LOAD SPEED	空载转速	6100±10% RPM
NO LOAD CURRENT	空载电流	<0.5 A
RATED TORQUE	额定转矩	130 mN.m
RATED SPEED	额定转速	4840±10% RPM
RATED CURRENT	额定电流	3.26 A
PEAK TORQUE	峰值转矩	390 mN.m
PEAK CURRENT	峰值电流	11 A
BACK EMF CONSTANT	反电势常数	2.75 Vrms/kRPM

PERMISSIBLE RADIAL+AXIAL FORCE



TORQUE CONSTANT	转矩常数	37.1 mN.m/A	AXIAL-FORCE 径向压力	Fa=10 N Max.
INSULATION CLASS	绝缘等级	B 130°C	DISTANCE 距离	a=10 mm
DIELECTRIC STRENGTH	介电强度	500VAC 1MIN	RADIAL-FORCE 轴向压力	Fr=28 N Max.
INSULATION RESISTANCE	绝缘电阻	100MΩ @500VDC		
ROTOR INERTIA	转子转动惯量	181 g.cm²	SHAFT RADIAL PLAY 径向间隙	0.02mm Max. @4N
WEIGHT	重量	150 g	SHAFT AXIAL PLAY 轴向间隙	0.14mm Max. @4N
OPERATION AMBIENT	使用环境	Ambient temperature:-20...+55°C,humidity Max. 85%(No condensation)		
STORAGE AMBIENT	存储环境	Ambient temperature:-10...+35°C,humidity Max. 85%(No condensation)		

REV	ECN NO.	DESCRIPTION	DRN	APP'D	DATE	DESIGN	DATE	P/N.	3.102.045.xxxx
UNLESS OTHERWISE SPECIFIED TOLERANCES						MATERIAL	CONTR.	CHECK	TITLE
DECIMALS: .x ±0.5									Specifications
ANGULAR: .xx ±0.25									USED ON
.xxx ±0.1									FL45BLW27-24V-6170A
UNIT: mm								APPD	DWG NO.
DO NOT SCALE DRAWING						FIRST ANGLE PROJECTION	SCALE N.T.S		REV
									A
									FULLING MOTOR
									SHEET 1 OF 1