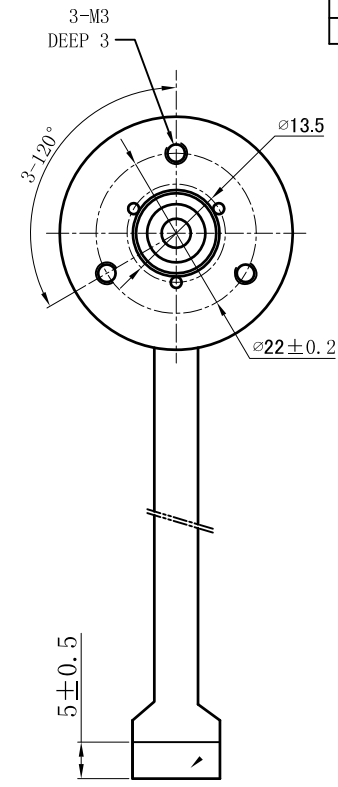
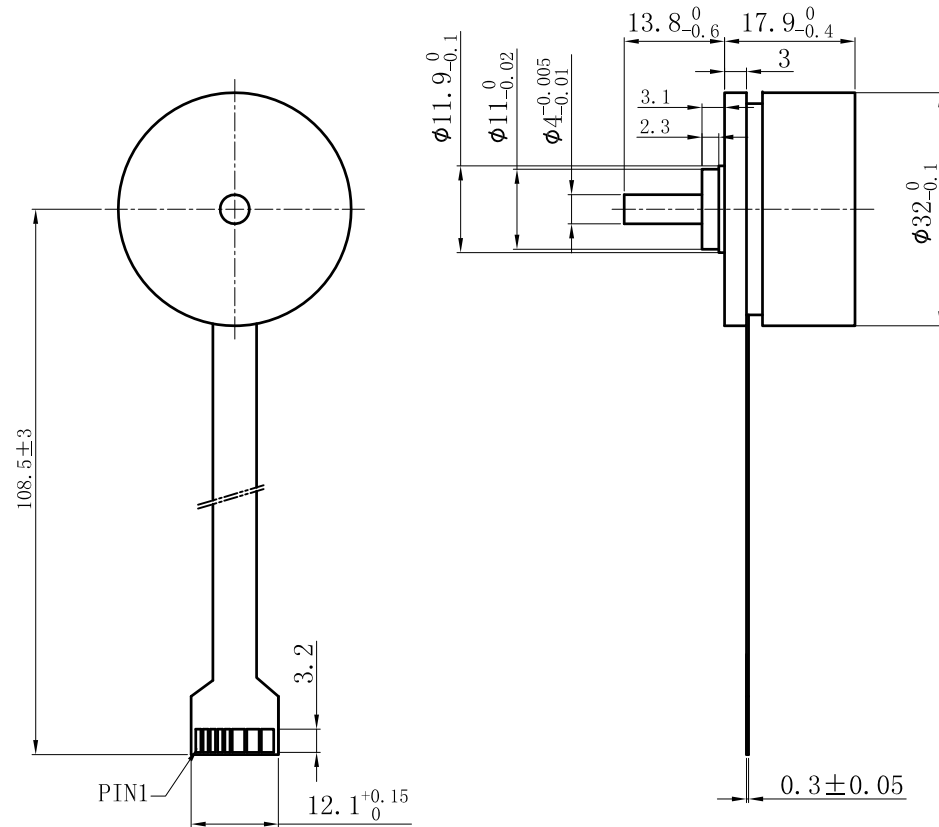
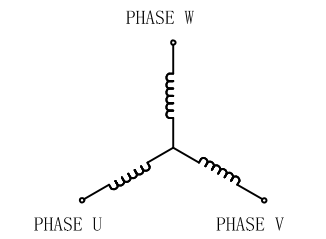


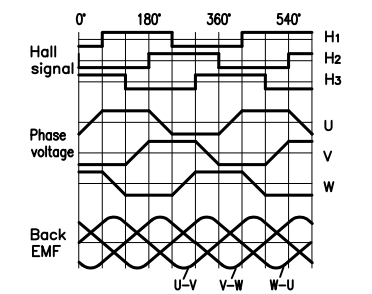
REV	ECN NO.	DESCRIPTION	DRN	APPD	DATE



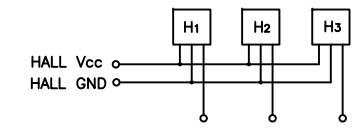
THREE-PHASE CONNECTING



CW from shaft side



HALL CONNECTION



OUTRUNNER BLDCM

NUMBER OF PHASE	绕组相数	3	Wires for Phases FPC		
NUMBER OF POLES	极数	8	PHASE U	PHASE V	PHASE W
LINE TO LINE RESISANCE	线电阻	13.7 ± 10% ohms@20°C	PIN8	PIN7	PIN6
LINE TO LINE INDUCTANCE	线电感	4.86 ± 20% mH@1kHz	Wires for HALL FPC		
NOMINAL VOLTAGE	额定电压	24 VDC	HALL Vc	Hu	Hv
NO LOAD SPEED	空载转速	4530 ± 10% RPM	PIN1	PIN3	PIN2
NO LOAD CURRENT	空载电流	<0.37 A	Hw	HALL Gnd	PIN5
RATED TORQUE	额定转矩	25.5 mN.m	PERMISSIBLE RADIAL+AXIAL FORCE		
RATED SPEED	额定转速	2760 ± 10% RPM			
RATED CURRENT	额定电流	0.53 A			
PEAK TORQUE	峰值转矩	76.5 mN.m			
PEAK CURRENT	峰值电流	1.59 A			
BACK EMF CONSTANT	反电势常数	3.57 Vrms/kRPM			
TORQUE CONSTANT	转矩常数	48.2 mN.m/A			
INSULATION CLASS	绝缘等级	B 130°C	AXIAL-FORCE	轴向压力	Fa=4.8 N Max
DIELECTRIC STRENG	介电强度	600VAC 1SEC	DISTANCE	距离	a=5 mm
INSULATION RESIST	绝缘电阻	100M0hm @500VDC	RADIAL-FORCE	径向压力	Fr=14 N Max
ROTOR INERTIA	转子转动惯量	35 g.cm ²	SHAFT RADIAL PLAY	径向间隙	0.02mm Max.Ø4N
WEIGHT	重量	50 g	SHAFT AXIAL PLAY	轴向间隙	0.14mm Max.Ø4N
OPERATION AMBIENT	使用环境	Ambient temperature:-20...+50° C, humidity Max. 85%(No condensation)			
STORAGE AMBIENT	存储环境	Ambient temperature:-20...+85° C, humidity Max. 85%(No condensation)			

REV	ECN NO.	DESCRIPTION	DESIGN	DATE	P/N.	TITLE
						Specifications
UNLESS OTHERWISE SPECIFIED		MATERIAL	CONTR	CHECK	USED ON	FL32BLW18-24V-4507A
TOLERANCES				APPD	DWG NO.	REV
DECIMALS:						A
.x	±0.5					
.xx	±0.25					
.xxx	±0.1					
UNIT: mm		FIRST ANGLE PROJECTION		SCALE 1:1	FULLING MOTOR	
DO NOT SCALE DRAWING				SHEET 1 OF 1		