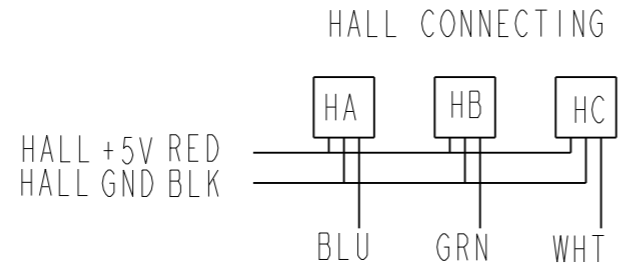
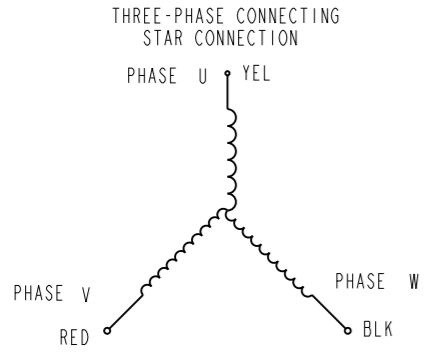
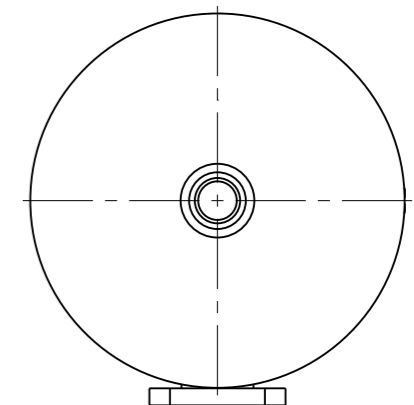
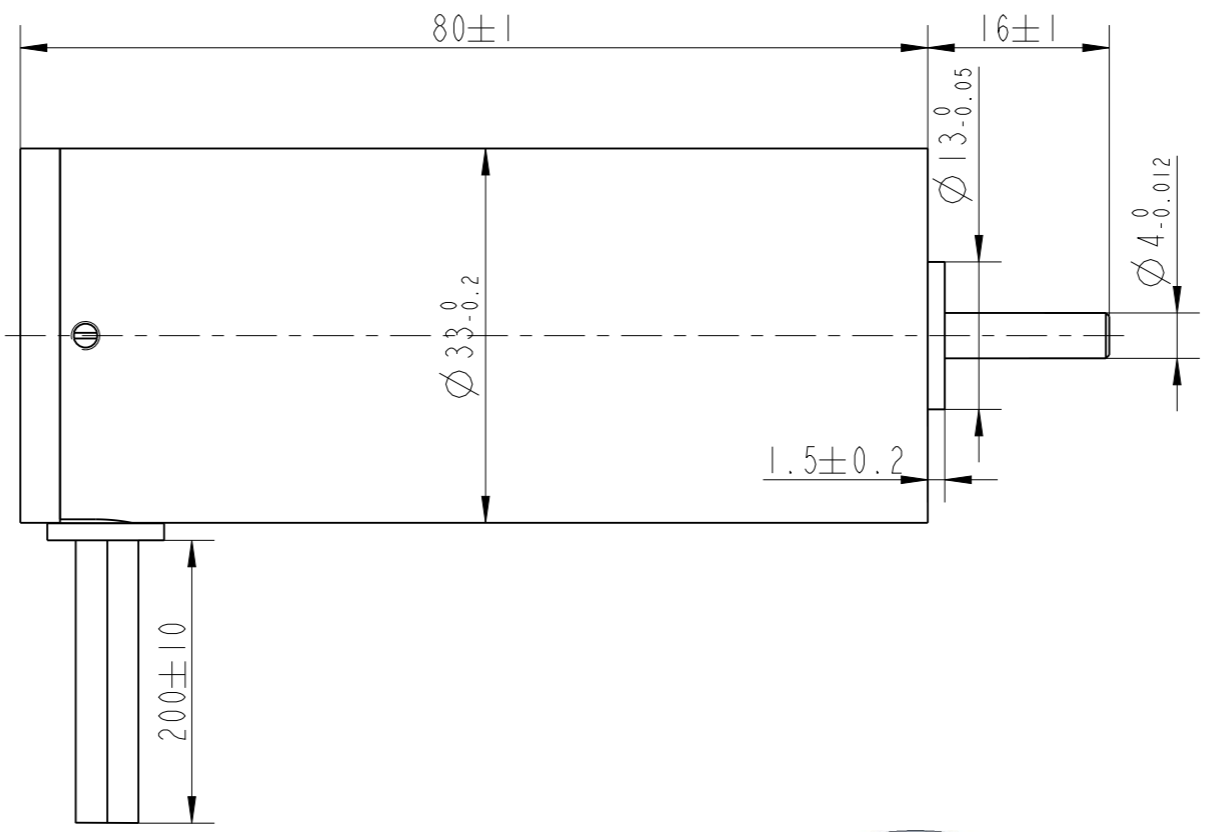
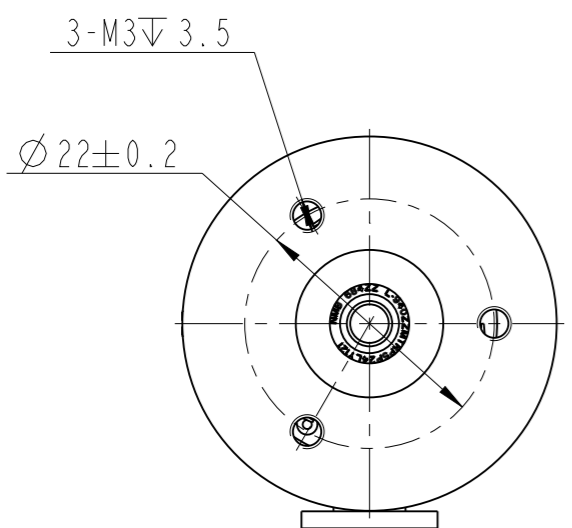
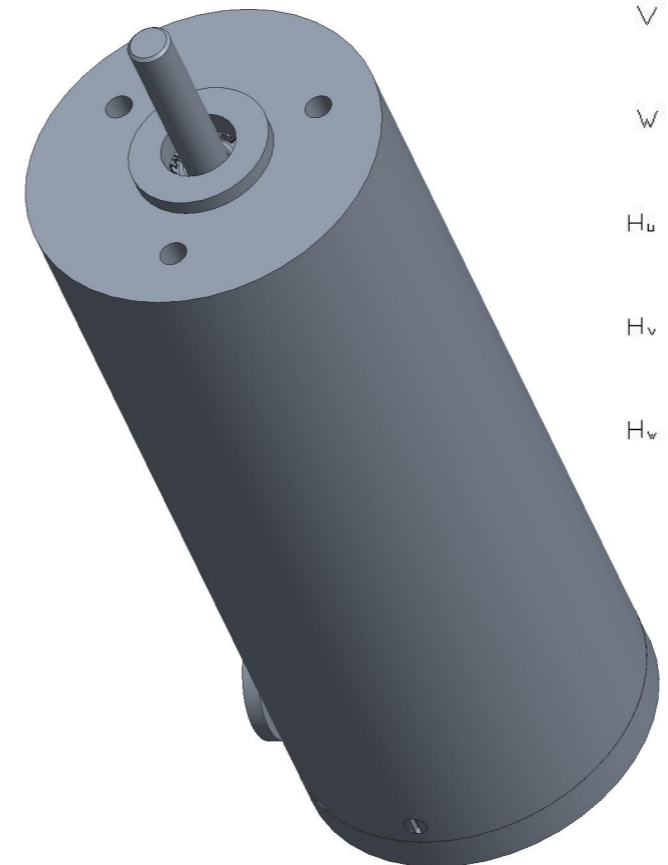
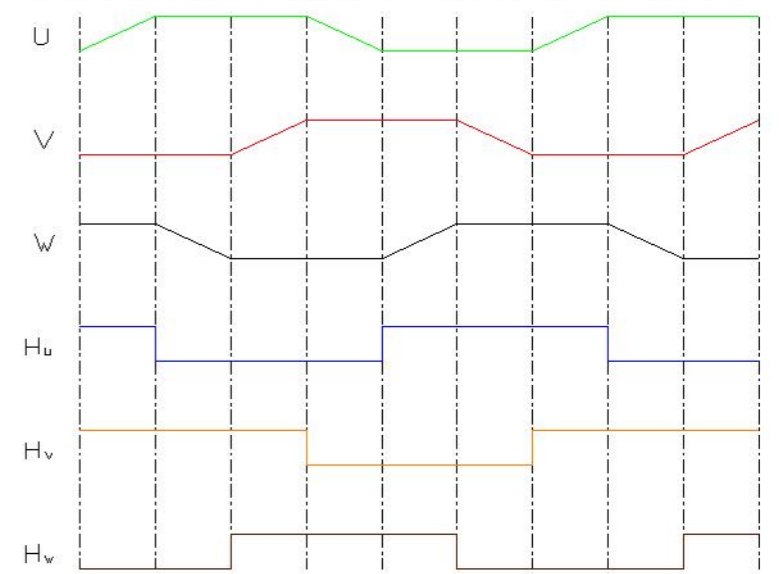


REV	ECN	NO	DESCRIPTION	DRN	APP'D	DATE



CW COMMUTATION VIEWED FROM OUTPUT SHAFT



NUMBER OF PHASE	绕组相数	3	Wires for Phases ULI430 AWG22		
NUMBER OF POLES	极数	4	PHASE U	PHASE V	PHASE W
LINE TO LINE RESISTANCE	线电阻	2.3±10% ohms@20°C	YEL	RED	BLK
LINE TO LINE INDUCTANCE	线电感	1.45±20% mH@1kHz	Wires for Hall ULI430 AWG26		
NOMINAL VOLTAGE	额定电压	48 VDC	HALL Vc	Hu	Hv
NO LOAD SPEED	空载转速	11000±10% RPM	RED	BLU	GRN
NO LOAD CURRENT	空载电流	0.4 A @ 25°C	WHT	BLK	
RATED TORQUE	额定转矩	0.05 N.m	PERMISSIBLE RADIAL+AXIAL FORCE 		
RATED SPEED	额定转速	10000 RPM			
RATED CURRENT	额定电流	1.0 A			
PEAK TORQUE	峰值扭矩	0.04 N.m			
PEAK CURRENT	峰值电流	3 A			
BACK EMF CONSTANT	反电势常数	3.1 Vrms/kRPM			
TORQUE CONSTANT	转矩常数	41.8mN.m/A			
INSULATION CLASS	绝缘等级	B 130°C			
DIELECTRIC STRENGTH	介电强度	650VAC ISEC			
INSULATION RESIST	绝缘电阻	100MΩ @ 500VDC			
ROTOR INERTIA	转子转动惯量	23.55g.cm ²	AXIAL-FORCE	轴向压力	Fa=4 N Max
WEIGHT	重量	0.2 Kg	DISTANCE	距离	a=10 mm
OPERATION AMBIENT	使用环境	Ambient temperature:-20...+50°C, humidity Max.85%(No condensation)	RADIAL-FORCE	径向压力	Fr=10 N Max
STORAGE AMBIENT	存储环境	Ambient temperature:-10...+85°C, humidity Max.85%(No condensation)	SHAFT RADIAL PLAY	径向间隙	0.02mm Max. @4N
			SHAFT AXIAL PLAY	轴向间隙	0.14mm Max. @4N

REV	ECN NO.	DESCRIPTION	DESIGN	DATE	P/N.
					3.1.02.033.
UNLESS OTHERWISE SPECIFIED		MATERIAL	CONTR.	CHECK	TITLE
TOLERANCES:					specifications
DECIMALS:					USED ON
.X	±0.5				FL33BL80-48V-10040A
.XX	±0.25				DWG NO.
.XXX	±0.1				REV
UNIT: mm		FIRST ANGLE PROJECTION	SCALE 3:2		A
DO NOT SCALE DRAWING			SHEET 1 OF 1		FULLING MOTOR