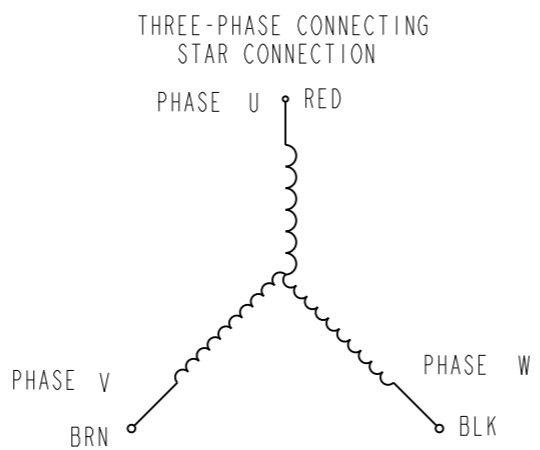
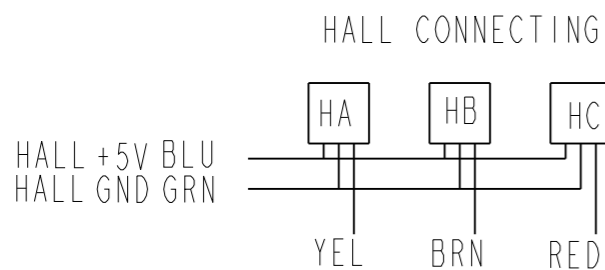
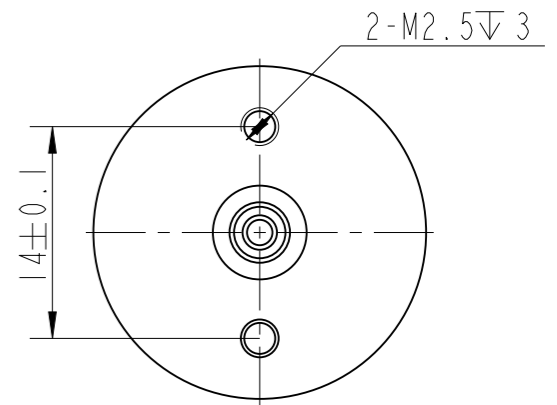
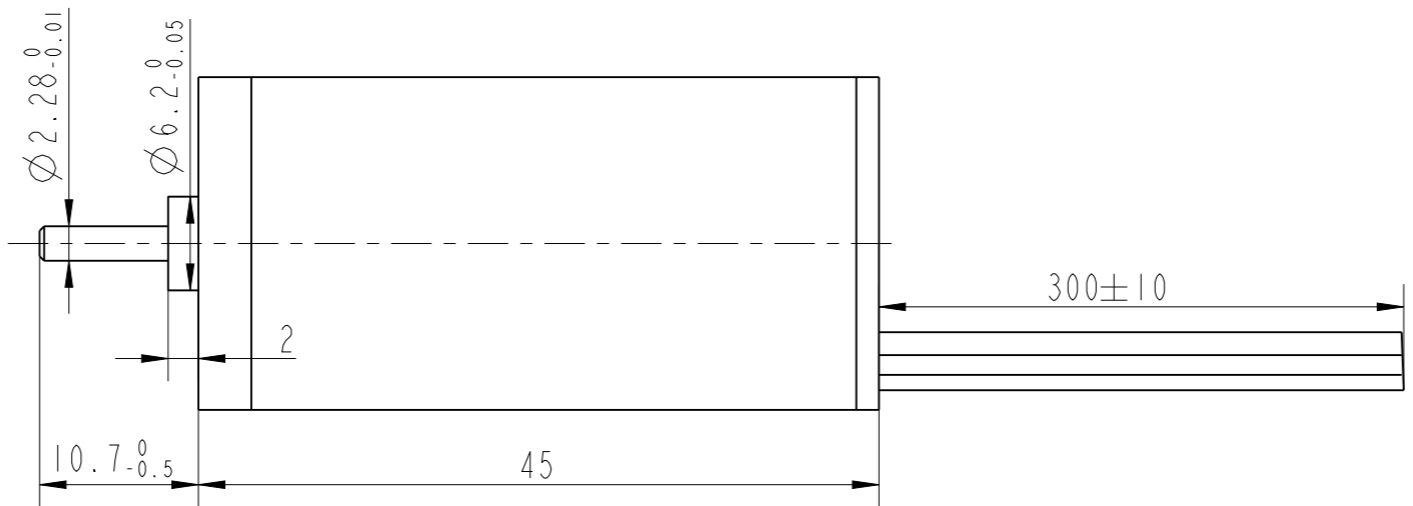
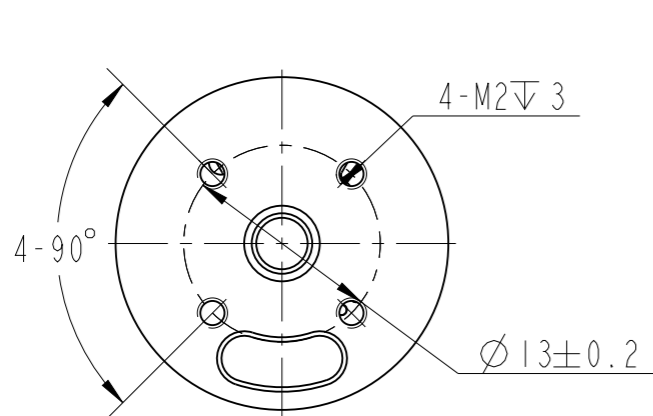
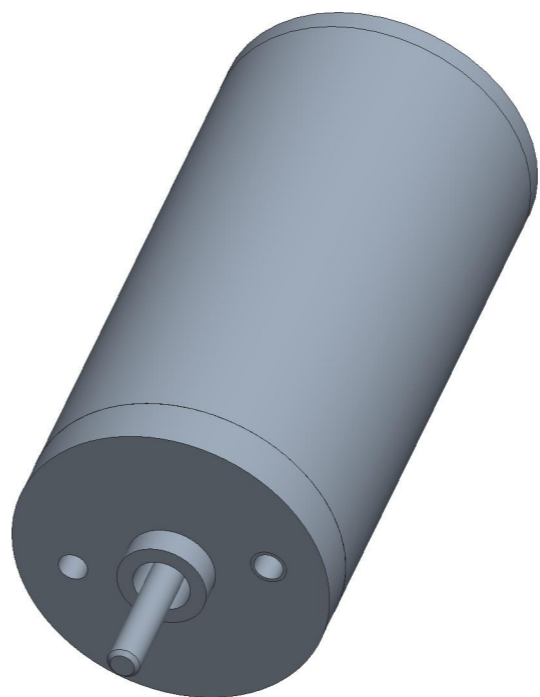
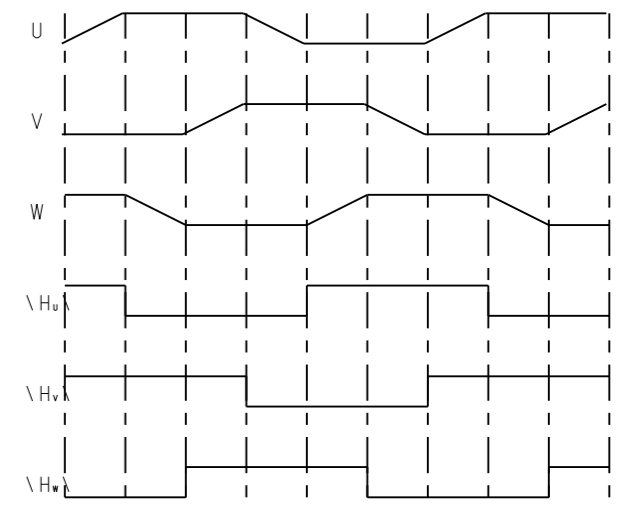


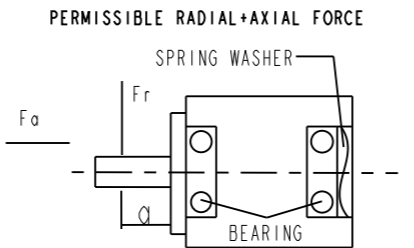
REV	ECN	NO	DESCRIPTION	DRN	APP'D	DATE



CW COMMUTATION VIEWED FROM OUTPUT SHAFT



NUMBER OF PHASE	绕组相数	3	Wires for Phases UL1007 AWG26		
NUMBER OF POLES	极数	8	PHASE U	PHASE V	PHASE W
LINE TO LINE RESISTANCE	线电阻	23±10% ohms@20°C	RED	BRN	BLK
LINE TO LINE INDUCTANCE	线电感	6.2±20% mH@1kHz	Wires for Hall UL1007 AWG28		
NOMINAL VOLTAGE	额定电压	24 VDC	HALL Vc	Hu	Hv
NO LOAD SPEED	空载转速	7000±10% RPM	Hw	HALL Gnd	
NO LOAD CURRENT	空载电流	0.3 A	BLU	YEL	BRN
RATED TORQUE	额定转矩	8 mN.m	RED		
RATED SPEED	额定转速	4800 RPM			
RATED CURRENT	额定电流	0.37 A			
PEAK TORQUE	峰值扭矩	24 mN.m			
PEAK CURRENT	峰值电流	1.1 A			
BACK EMF CONSTANT	反电势常数	2.35±10% Vrms/kRPM			
TORQUE CONSTANT	转矩常数	30.2±10% mN.m/A			
INSULATION CLASS	绝缘等级	B 130°C			
DIELECTRIC STRENGTH	介电强度	650VAC ISEC			
INSULATION RESIST	绝缘电阻	100MΩ @500VDC			
ROTOR INERTIA	转子转动惯量	1.1g.cm ²			
WEIGHT	重量	0.07Kg			
OPERATION AMBIENT	使用环境	Ambient temperature:-20...+50°C, humidity Max.85%(No condensation)			
STORAGE AMBIENT	存储环境	Ambient temperature:-10...+85°C, humidity Max.85%(No condensation)			



REV	ECN NO.	DESCRIPTION	DESIGN	DATE	P/N.
					3.1.02.022.0002
UNLESS OTHERWISE SPECIFIED		MATERIAL	CONTR.	CHECK	TITLE
TOLERANCES:					SPECIFICATIONS
DECIMALS:					USED ON
.X	±0.5				FL22RBL45-24V-4604A
.XX	±0.25				DWG NO.
.XXX	±0.1				REV
UNIT: mm		FIRST ANGLE PROJECTION	SCALE 2:1		A
DO NOT SCALE DRAWING			SHEET 1 OF 1		FULLING MOTOR