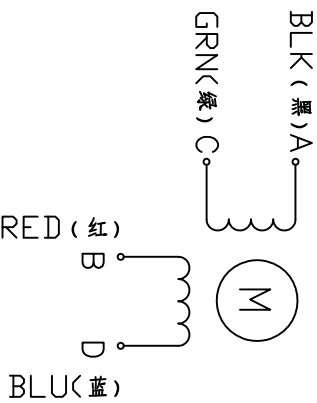


REV	ECN NO.	DESCRIPTION	DRN	APP'D	DATE

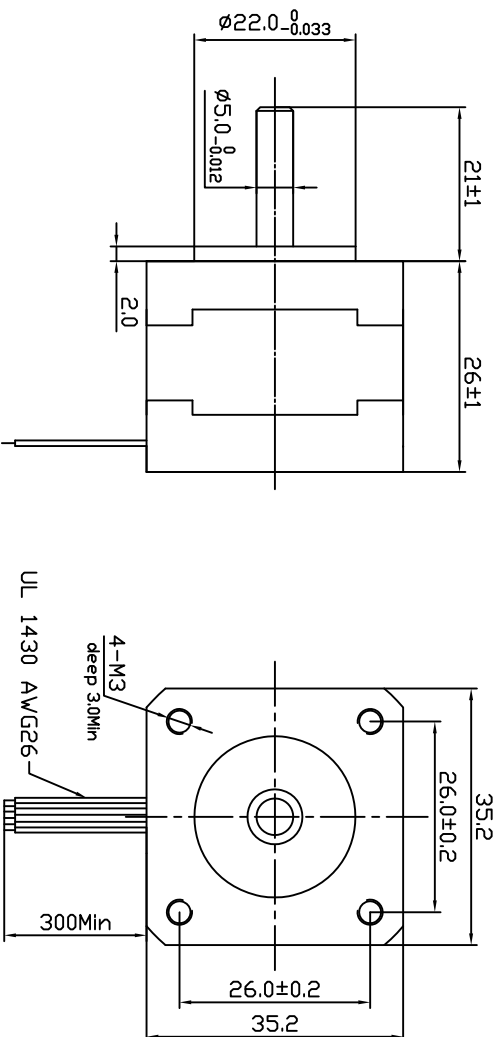
Wiring Diagram (接线图)



Exciting Sequence (励磁顺序)

CW DIRECTION	STEP	A	C	B	D
↑	1	+		+	
	2		+		+
	3			+	+
	4	+			+

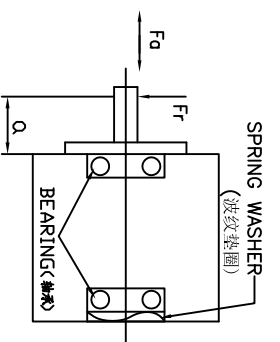
CW, see from flange side
(顺时针, 从法兰侧看)



SPECIFICATION

STEP ANGLE	步距角	1.8°/full step (步距)
STEP ANGLE ACCURACY	步距角精度	±5%
NUMBER OF PHASE	绕组相数	2
RATED VOLTAGE	额定电压	7.4 VDC
RATED CURRENT	额定电流	0.28 A
RESISTANCE/PHASE	每相电阻	26±10% ohms@20°C
INDUCTANCE/PHASE	每相电感	27±20% mH@1KHz
HOLDING TORQUE	保持转矩	700 g.cm
PULL OUT TORQUE	运行转矩	N.cm @ RPM
BACK EMF	反电势	V @ 300RPM
DETTENT TORQUE	定位转矩	N.cm
ROTOR INERTIA	转子转动惯量	10g.cm ²
WEIGHT	重量	130 g
TEMPERATURE RISE	温升	Less than 80K (ΔT@80%)
SOURCE VOLTAGE	驱动器电压	24 VDC
INSULATION CLASS	绝缘等级	B 130°C
DIELECTRIC STRENGTH	介电强度	500VAC 1MIN
INSULATION RESISTANCE	绝缘电阻	100MΩhm @500VDC
IP CODE	防护等级	IP30
OPERATION AMBIENT	使用环境	Ambient temperature: -20...+50°C, humidity Max. 85% (No condensation)
STORAGE AMBIENT	存储环境	Ambient temperature: -20...+85°C, humidity Max. 85% (No condensation)

PERMISSIBLE RADIAL+AXIAL FORCE



AXIAL-FORCE 轴向压力

AXIAL-FORCE	轴向压力	Fa=10 N Max.
DISTANCE	距离	q=20 mm
RADIAL-FORCE	径向压力	Fr=28 N Max.

PN号	名称	数量	单位	备注	PN号	名称	数量	单位	备注

UNLESS OTHERWISE SPECIFIED TOLERANCES:	ANGULAR:	MATERIAL	CONTR.	CHECK	USED ON	DWG NO.	REV
.X ±0.5	±0°30'						
.XX ±0.25							
.XXX ±0.1							

FIRST ANGLE PROJECTION	SCALE	NTS	SHEET	OF	FULLING MOTOR